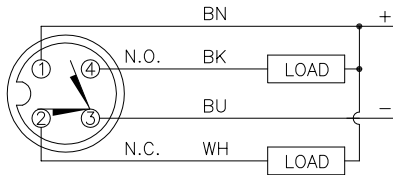
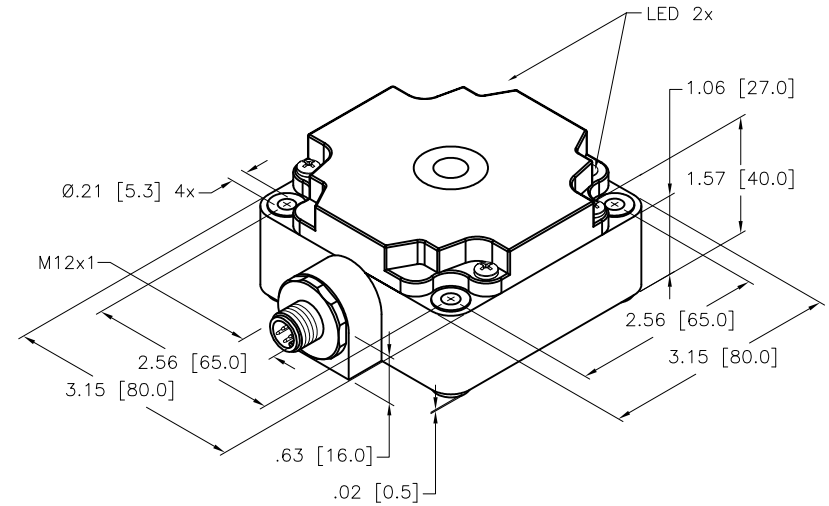


OPERATING VOLTAGE	4-WIRE DC, 10-65 VDC, SINKING CURRENT
OUTPUT FUNCTION.....	COMPLEMENTARY (ONE NORMALLY OPEN, ONE NORMALLY CLOSED)
EMBEDDABLE	NO
RATED OPERATING DISTANCE.....	50 mm
APPROVAL OR CERTIFICATION.....	CSA (C US), CE
SHORT-CIRCUIT PROTECTION.....	YES
WELD-FIELD IMMUNITY.....	NO
SWITCHING FREQUENCY.....	100 Hz
RIPPLE	≤10%
DIFFERENTIAL TRAVEL <HYSTERESIS>.....	3-15% (5% TYPICAL)
VOLTAGE DROP ACROSS CONDUCTING SENSOR.....	≤1.8 V AT 200 mA
TRIGGER CURRENT FOR OVERLOAD PROTECTION.....	≥220 mA
CONTINUOUS LOAD CURRENT.....	≤200 mA
OFF-STATE <LEAKAGE> CURRENT.....	≤10 μA
NO LOAD CURRENT.....	4-9.5 mA
TIME DELAY BEFORE AVAILABILITY.....	≤25 ms
POWER-ON EFFECT.....	PER IEC 947-5-2
REVERSE-POLARITY PROTECTION.....	INCORPORATED
WIRE-BREAK PROTECTION.....	INCORPORATED
TRANSIENT PROTECTION.....	PER EN 60947-5-2
OPERATING TEMPERATURE.....	-25°C TO +70°C (-13°F TO + 158°F)
SHOCK.....	30 g, 11 ms
VIBRATION.....	55 Hz, 1 mm AMPLITUDE (ALL 3 PLANES)
REPEATABILITY.....	≤2% OF RATED OPERATING DISTANCE
NUMBER OF LEDS.....	2
LED FUNCTION <YELLOW>.....	OUTPUT ENERGIZED
LED FUNCTION <GREEN>.....	POWER ON
ENCLOSURE.....	MEETS NEMA 1,3,4,6,13, AND IEC IP 67
CONNECTION.....	4-PIN eurofast CONNECTOR
CONNECTOR MATERIAL.....	CHROME-PLATED BRASS
HOUSING MATERIAL.....	PBT-GF30-V0 PLASTIC
TERMINAL CHAMBER COVER MATERIAL.....	TROGAMID T



SOURCE DRAWING - FOR REFERENCE ONLY

NOTE: ALL DIMENSIONAL TOLERANCES ±1.0 mm.

RELATED DOCUMENTS 1. 2. 3. 4.	3RD ANGLE PROJECTION 	THIS DRAWING IS CONFIDENTIAL AND THE PROPERTY OF TURCK INC. USE OF THIS DOCUMENT WITHOUT WRITTEN PERMISSION IS PROHIBITED.		3000 CAMPUS DRIVE MINNEAPOLIS, MN 55441 1-800-544-7769 (763) 553-7300 (763) 553-0708 fax www.turck.us	
	MATERIAL	DRFT CBM	DATE 09/13/00	DESCRIPTION NI50-CP80-VN4X2-H1141	
FINISH	ALL DIMENSIONS DISPLAYED ON THIS DRAWING ARE FOR REFERENCE ONLY	APVD	SCALE NONE	IDENTIFICATION NO. 1525693	
	CONTACT TURCK FOR MORE INFORMATION	UNIT OF MEASUREMENT INCH [MILLIMETER]		REV B	
		DO NOT SCALE THIS DRAWING		FILE: 1525693	SHEET 1 OF 1

B	UPDATE ID NUMBER PER HARMONIZATION PROJECT	CBM	11/06/17	
REV	DESCRIPTION	BY	DATE	ECO NO.